

easy to order standing frames

Barry Standing Frame

A prone standing frame with a tray to give forward leaning support in standing.

Features

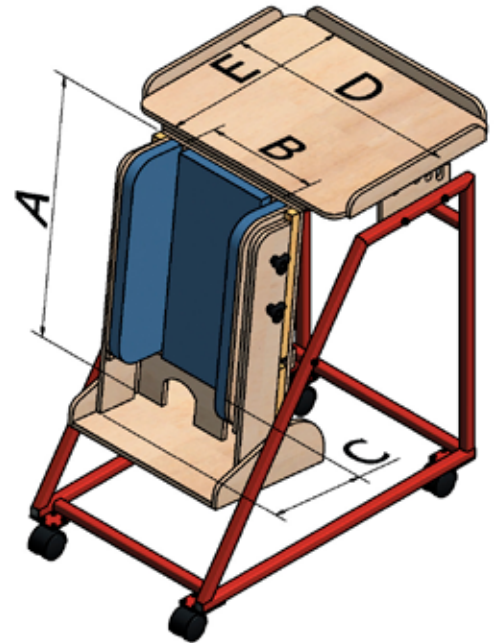
- the tilt angle is adjustable between 6° to 30° from the vertical
- the adjustable self-levelling tray is fitted above the trunk support to provide arm support
- lipped tray edges help keep objects on the tray
- braked furniture castors allow the frame to be easily moved
- the footplate can be lowered for growth in 50mm increments
- the simple foot guides pictured are included to help with foot positioning
- the padding thickness can be altered to accommodate growth in width
- supplied with support straps at buttock and chest height

Options

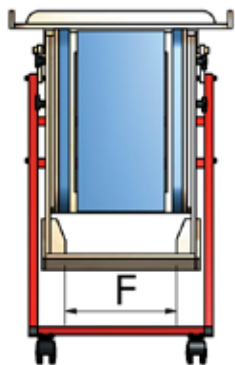
- cutout guides can be added to the footplate for more specific foot positioning
- footcups can be attached to the footplate
- the frame can be mounted on heavy duty rubber tyres
- additional support strap can be provided to user requirement

AGE GUIDE

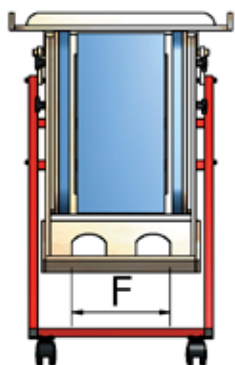
12 months - 8 years



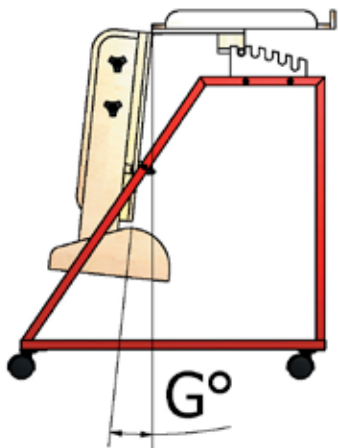
easy to order standing frames



Simple foot guides



Cutout foot guides



Barry Standing Frame dimensions (mm)

		Small <input type="checkbox"/>	Large <input type="checkbox"/>	Custom
A	Overall body support length	540-690	620-770	
B	Effective body support width	240	320	
C	Effective footrest depth	260	260	
D	Tray width	520	520	
E	Tray depth	420	420	
F	Effective footrest width	260	340	
G	Tilt increments	6° / 12° / 18° / 24° / 30°		

Barry Standing Frame options (additional cost)

<input type="checkbox"/>	Cutout foot guides	<i>Cutout width</i>		
<input type="checkbox"/>	Footcups	<i>Shoe width</i>	<i>Shoe length</i>	
		<i>Separation between inner footcup edges</i>		
<input type="checkbox"/>	65mm diameter rubber tyred locking castors			
<input type="checkbox"/>	Additional body support strap	<i>Width</i>		