

easy to order bath seats

Bath Seat Stand

For supporting the Todd and Linda bath seats when used in a shower recess.

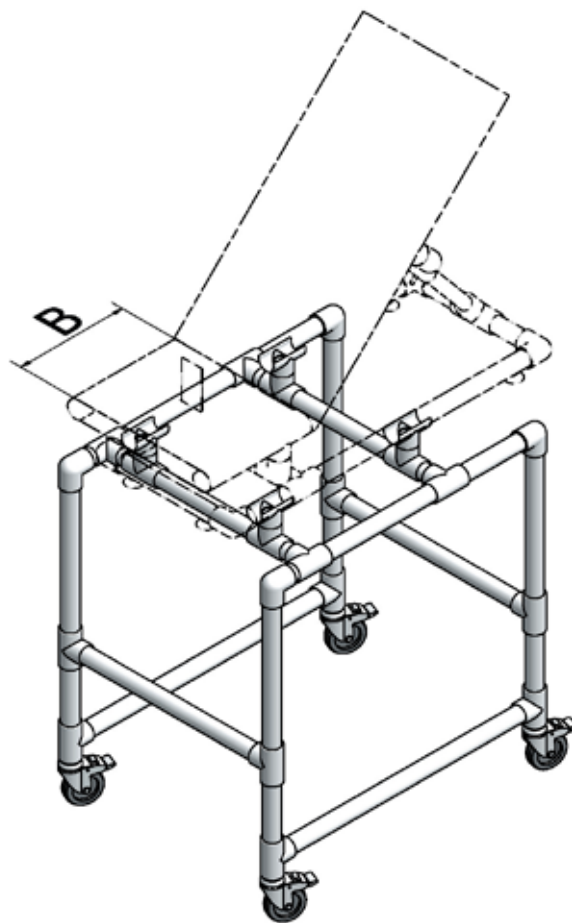
Features

- the stand is matched to the dimensions of the relevant bath seat
- the height can be customised to suit the carer's preferred working height
- it has braked castors to assist with transferring between the shower and change areas
- it is easy to attach and remove the bath seat from the stand

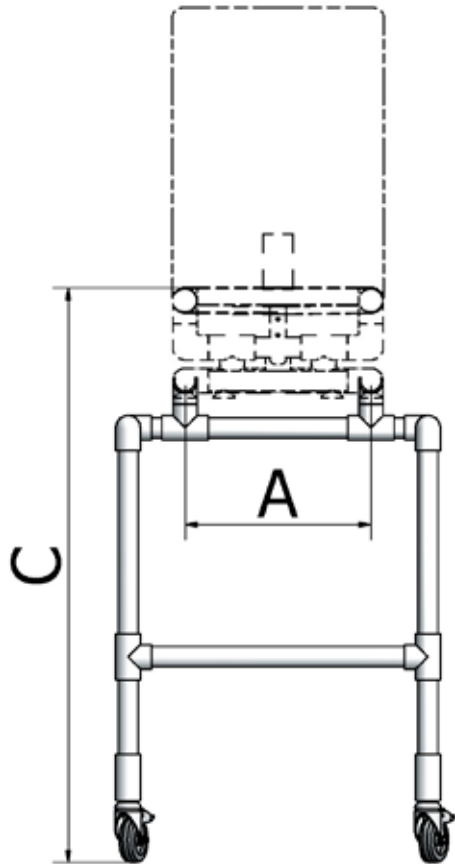
Options

- the standard zinc plated castors can be upgraded to stainless steel castors which are fully waterproofed for heavy duty use

AGE GUIDE
to suit chosen bath seat



easy to order bath seats



Bath seat stand dimensions (mm)

		Small <input type="checkbox"/>	Large <input type="checkbox"/>	Custom
A	Width of chair frame centres being supported	325	400	
B	Seat depth of chair being supported	260	350	
C	Chair seat height above floor	900	900	

Bath seat stand options (additional cost)

<input type="checkbox"/>	Stainless steel/fully waterproofed castor hardware
--------------------------	--