

easy to order standing frames

Lazy Squirrel Standing Frame

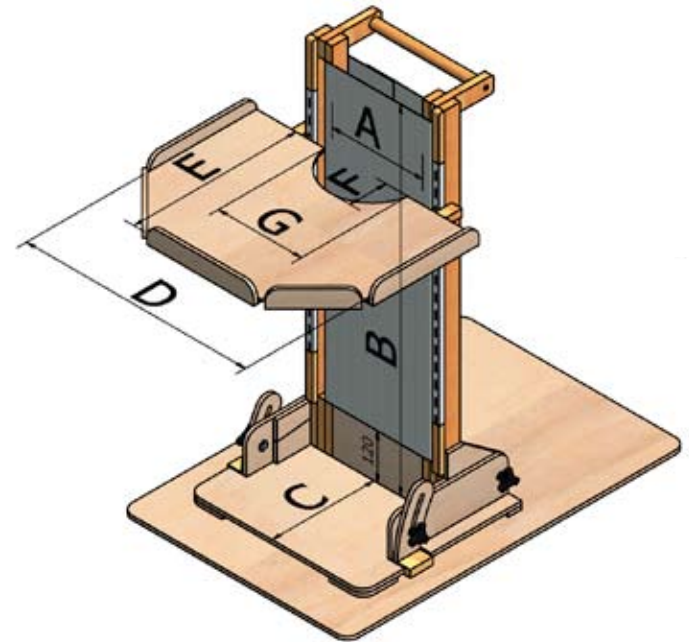
Provides upright to semi-supine standing.

Features:

- broad base for stability
- the frame can be tilted from vertical through to 30° recline
- the body and head support backing is made of mesh fabric
- the frame has one body support strap and one leg positioning strap (also made of mesh fabric), with a knee separation block integrated with the leg positioning strap
- the body and leg straps are adjustable for height and wrap-length using Velcro fastening at the back of the frame
- the height-adjustable lipped tray fits to the outer frame for simple attachment and removal
- the tray and upright section of the standing frame are removable from the base for easy transport and storage

Options

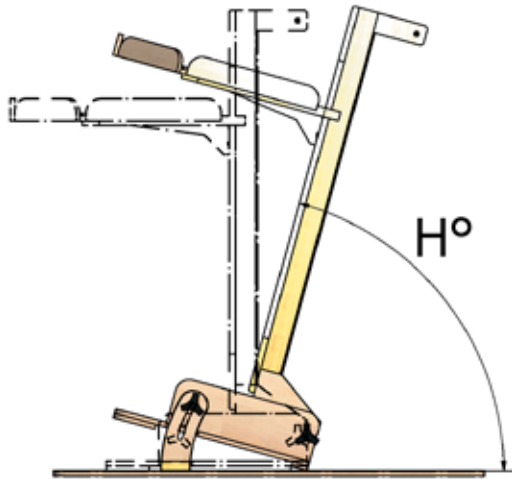
- footcups can be attached to the baseplate
- additional body support can be provided
- braked furniture castors can be added to the base



AGE GUIDE

12 months - 4 years

easy to order standing frames



Lazy Squirrel Standing Frame dimensions (mm)

		Typical <input type="checkbox"/>	Custom
A	Effective support width	240	
B	Effective support height	900	
C	Footplate depth	270	
D	Tray width	600	
E	Tray depth	500	
F	Cutout width	280	
G	Cutout depth (no greater than $F \div 2$)	130	
H	Frame tilt relative to base	upright - 60°	upright - 60°
	Heelplate height	120	120

Lazy Squirrel Standing Frame options (additional cost)

<input type="checkbox"/>	Footcups	Shoe width		Shoe length	
		Separation between inner footcup edges			
<input type="checkbox"/>	Additional body support strap		Width		
<input type="checkbox"/>	Braked swivel furniture castors on base				