

easy to order standing frames

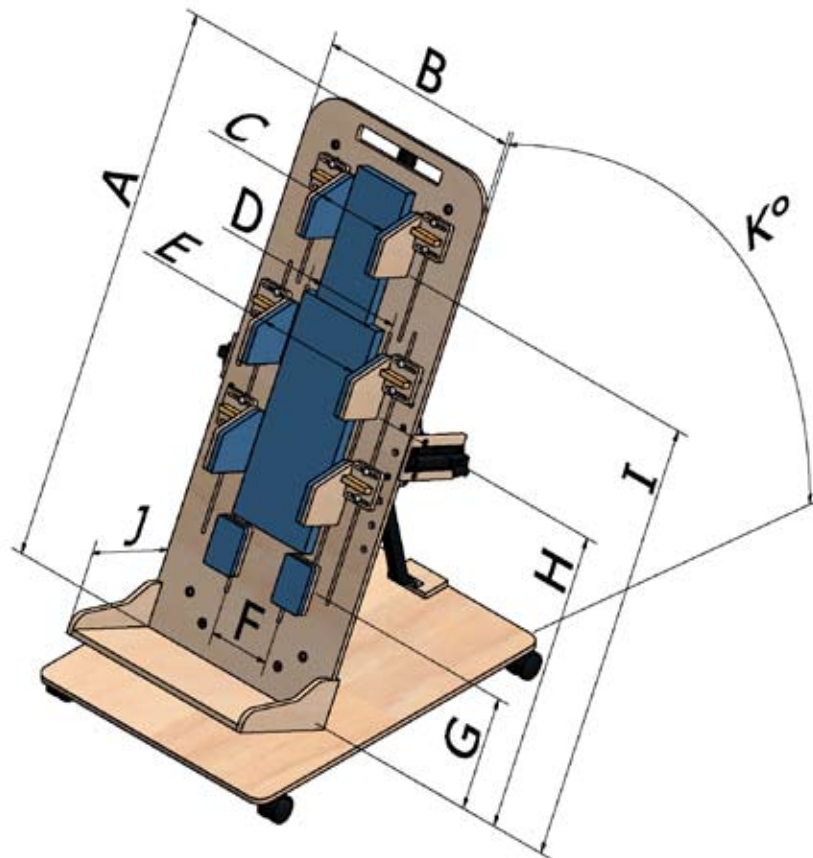
PLUS Supine Stander

Provides highly adjustable supine standing for young children needing a high degree of support, up to 1100mm overall height.

The PLUS is designed with adjustability built in to suit most needs within the overall size limits. If customisation to suit very specific user dimensions is required, please provide the details with your application.

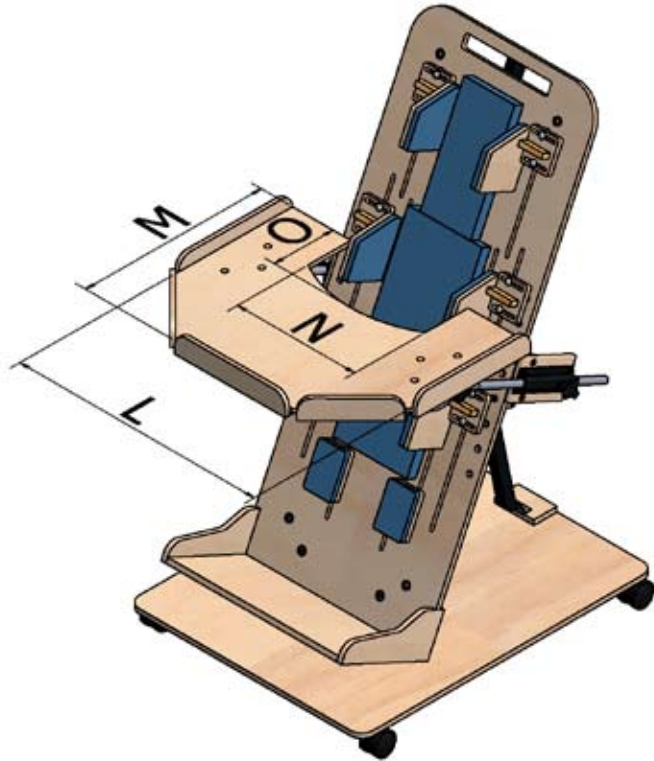
Features

- adjustable padded supports for head, thoracic, hip and knee positioning, each with a set of Velcro-closed positioning belts
- separate 25mm-thick covered cushions behind head and body
- reclines between upright and 55° from horizontal
- has a tilt-adjustable, detachable tray with six height settings in 50mm increments
- adjustment ranges to suit a wide variety of user dimensions within the overall limits



AGE GUIDE
2-8 years

easy to order standing frames



PLUS Supine Stander dimensions (mm)

		Typical
A	Overall body support length	1100
B	Overall body support width	460
C	Head support separation	130-230
D	Body support belt separation	220
E	Lateral supports separation	190-290
F	Knee support separation	140
G	Knee support height from footplate	140-290
H	Lateral support height from footplate	250-750
I	Head support height from footplate	750-1000
J	Footplate depth	220
K	Recline angle range (from horizontal)	55° - upright
L	Tray width	600
M	Tray depth	450
N	Tray cutout width	300
O	Tray cutout depth	150