

# easy to order bath seats

## Todd Bath Seat

For supporting children for bathing.

### Features

- the seat back is fixed at 90° to the seat
- the whole seat unit is hinged on the base, with the recline angle adjustable between approximately 40° to 60° from the horizontal
- suction cups at each corner of the base minimise movement in the bath
- includes a pelvic belt with crotch strap

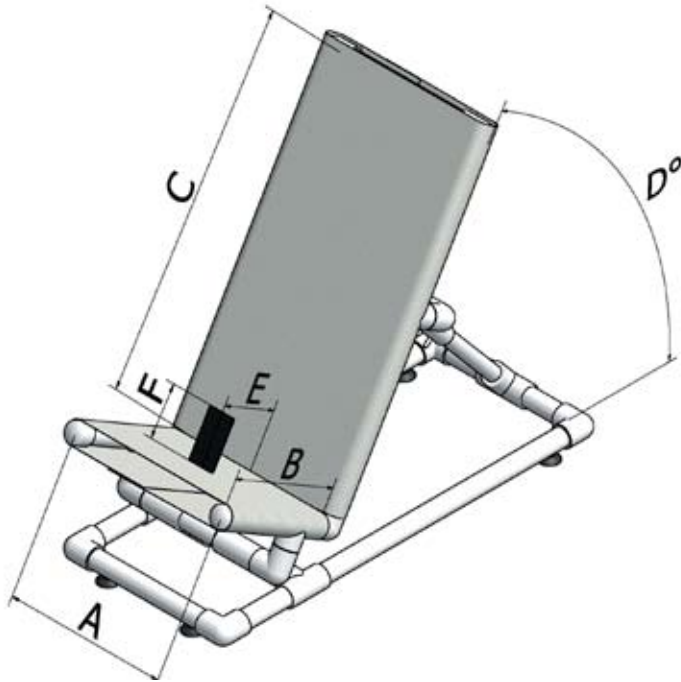
### Options

- a round knee roll can be fitted as an anti-thrust device – this runs the width of the seat and is attached with Velcro straps under the seat
- the pelvic belt can be fitted with a Velcro closure in place of the buckle
- a neoprene sleeve can cover the pelvic belt to reduce skin shear
- can be fitted to the Bath Seat Stand for use as a shower seat (see page 11)

#### AGE GUIDE

18 months - 8 years

# easy to order bath seats



## Todd Bath Seat dimensions (mm)

		Small <input type="checkbox"/>	Large <input type="checkbox"/>	Custom
<b>A</b>	Frame width	325	400	
<b>B</b>	Seat depth	260	350	
<b>C</b>	Back height	650	750	
<b>D</b>	Back recline angle	60°-40°	60°-40°	60°-40°
<b>E</b>	Crotch strap position	CUSTOM ▶		
<b>F</b>	Crotch strap length	CUSTOM ▶		
	Pelvic belt overall length	CUSTOM ▶		

## Todd Bath Seat options (additional cost)

<input type="checkbox"/>	85mm diameter anti-thrust/knee roll (foam roll with mesh fabric cover and velcro straps)
<input type="checkbox"/>	Velcro closure on pelvic belt (in place of buckle)
<input type="checkbox"/>	Neoprene sleeve over belt
<input type="checkbox"/>	PVC tube floor support stand (Please include the separate dimension sheet for the bath seat stand – see page 11)